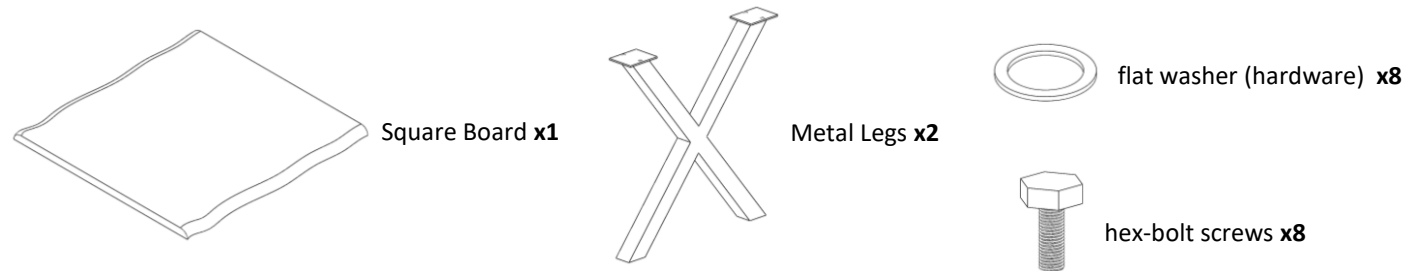




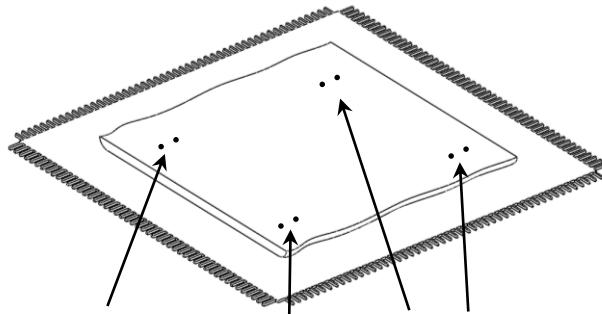
COYACONEYA

## Instructions for assembling

### Square X Dining TABLE

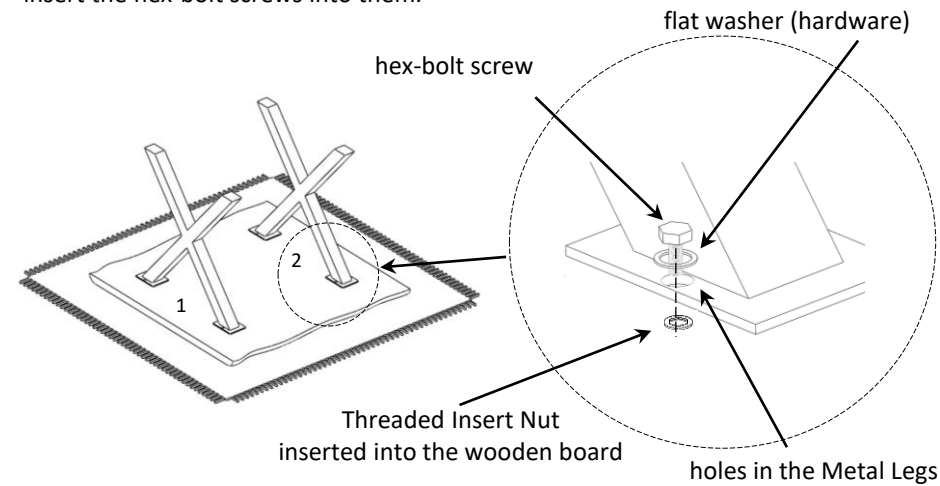


**STEP 1:** The best way for assembling the Dining Table is to put the wooden board on soft material.

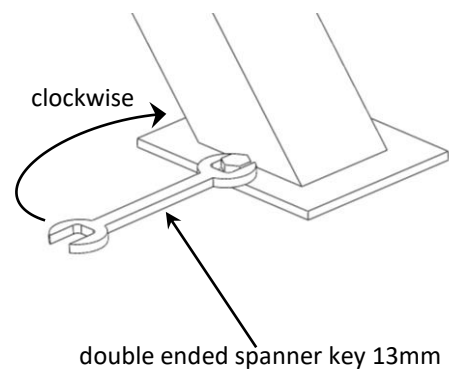


8 Threaded Insert Nuts inserted into the wooden board

**STEP 2:** - Precisely place the 2 Metal Legs above the 8 Threaded Insert Nuts,  
- precisely place the 8 Flat Washers (Hardware) under the holes of the Metal Legs,  
- insert the hex-bolt screws into them.



**STEP 3:** Place the double ended spanner key 13 mm around the screw and rotate it clockwise.



**STEP 5:** Final view

