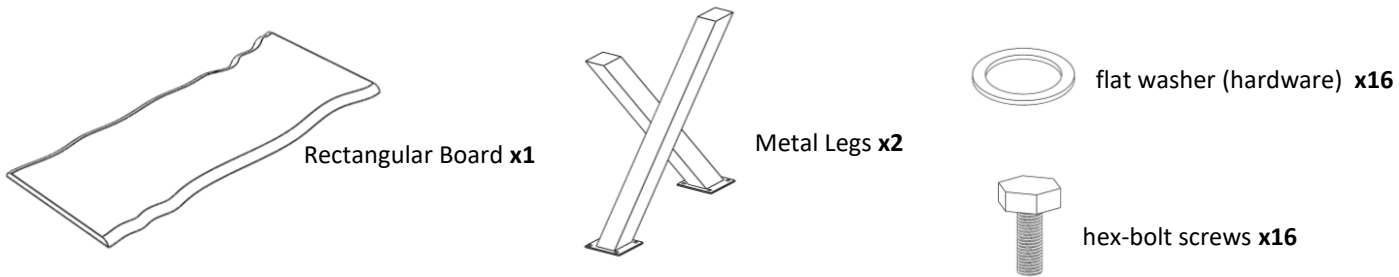




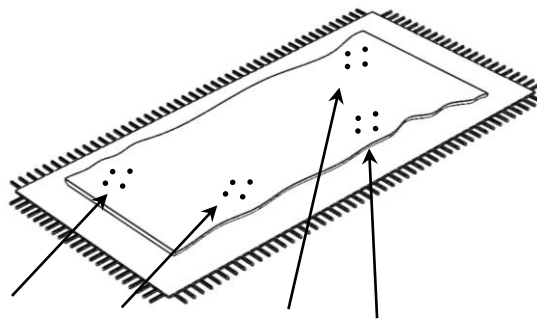
COYACONEYA

Instructions for assembling

EXCENTRIC-K Dining TABLE



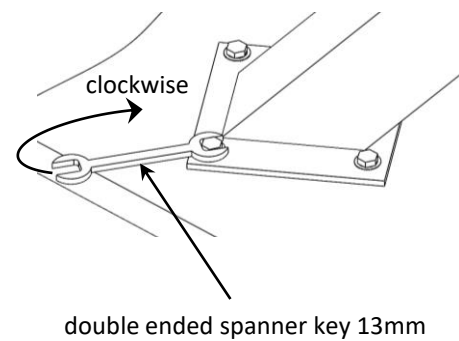
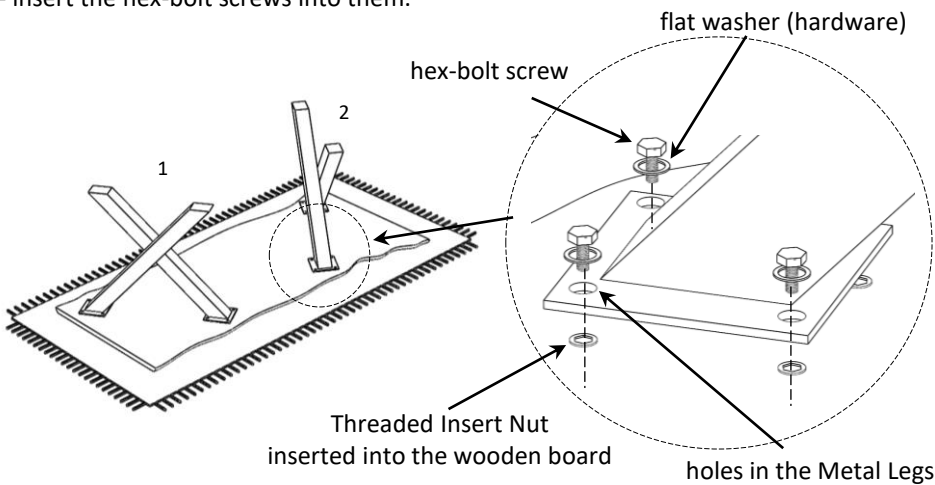
STEP 1: The best way for assembling the Dining Table is to put the wooden board on soft material.



16 Threaded Insert Nuts inserted into the wooden board

STEP 2: - Precisely place the 2 Metal Legs above the 16 Threaded Insert Nuts,
- precisely place the 16 Flat Washers (Hardware) under the holes of the Metal Legs,
- insert the hex-bolt screws into them.

STEP 3: Place the double ended spanner key 13 mm around the screw and rotate it clockwise.



STEP 5: Final view

